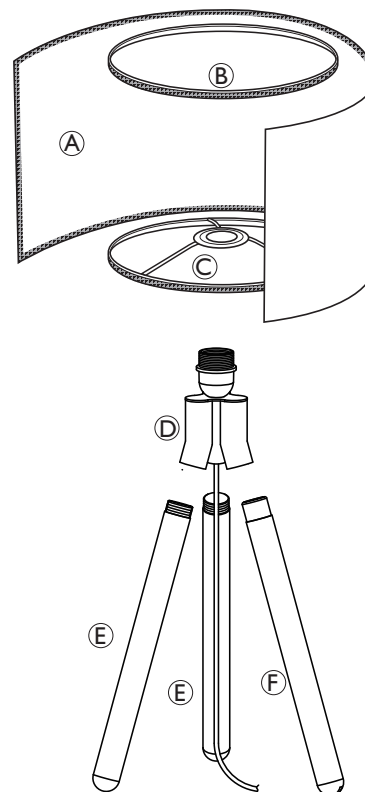
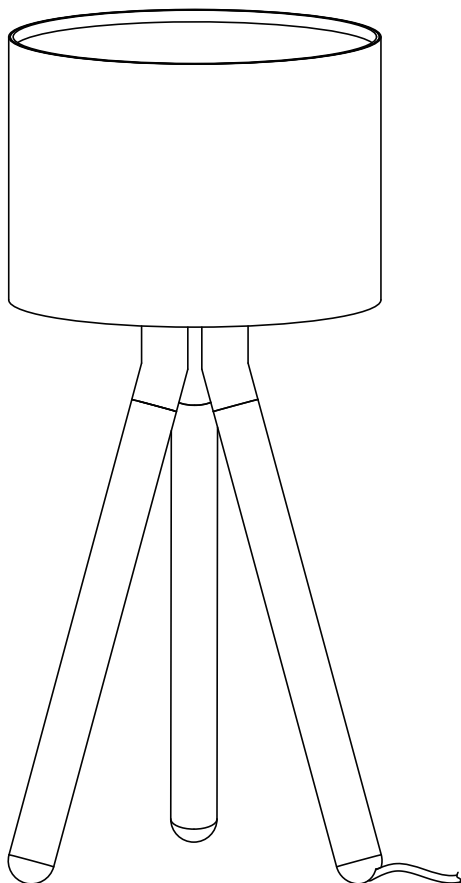


# DARØ PASO WOOD T1 / INSTRUCTION MANUAL

/ Design by Says Who

DARØ®

LAMPSHADE patent  
USA: US 8,292,476  
China: ZL200820000799.4  
EU: 08014421.5-2423  
Japan: 3145825  
Taiwan: M350672  
DE: 20 2014 007 328.7



Ⓒ 2pcs



Ⓗ 1pc

Caution : If the external flexible cable or cord of this luminaire is damaged, it shall be exclusively replaced by the manufacturer or its service agent or a similar qualified person in order to avoid a hazard.

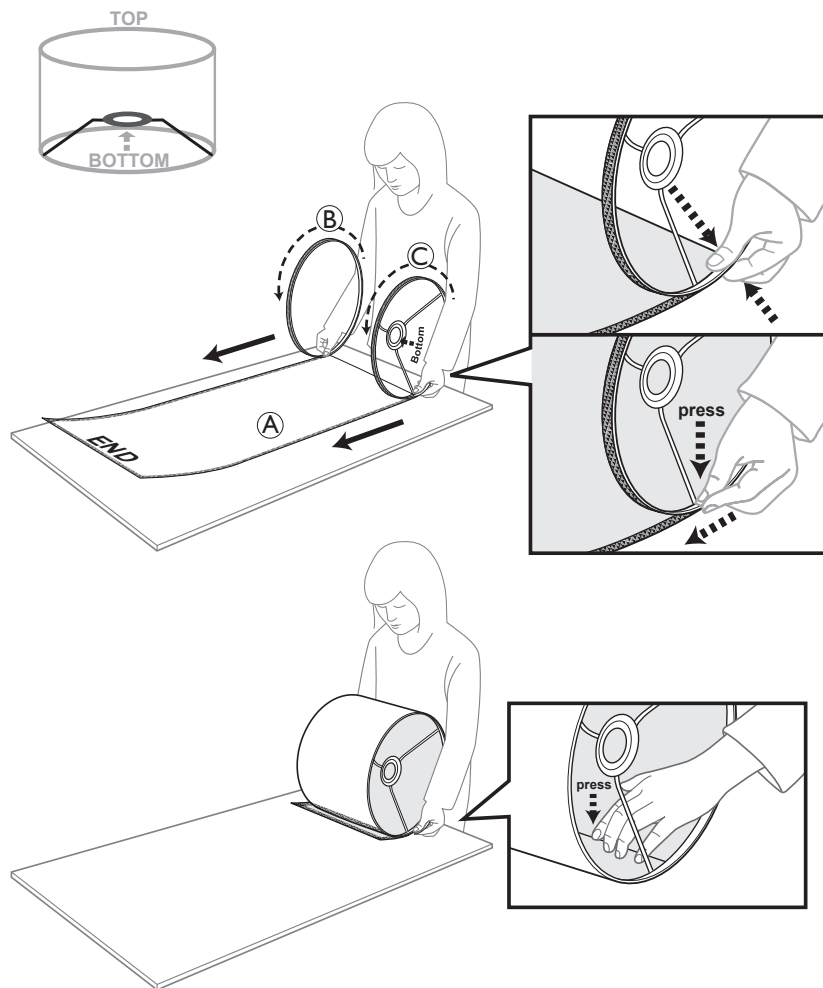


# DARØ PASO WOOD T1 / INSTRUCTION MANUAL

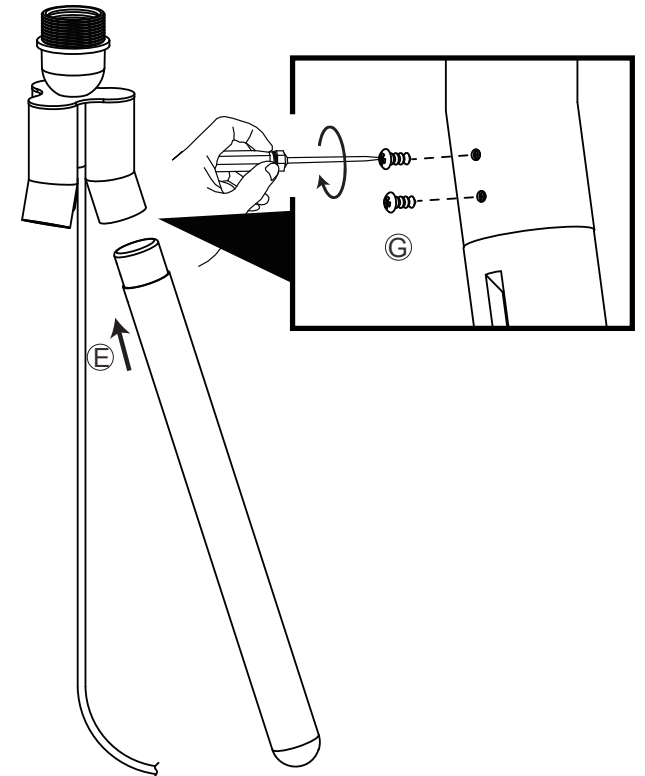
/ Design by Says Who

DARØ®

1



2



2 of 3

Beskyt miljøet / Protect the environment

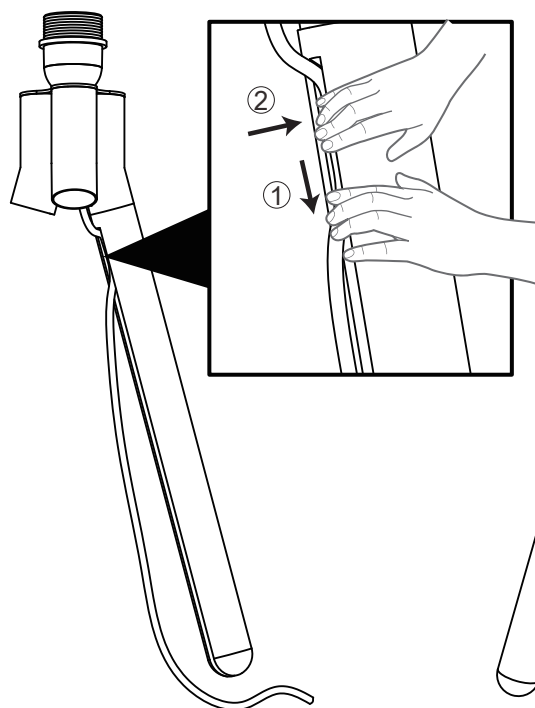


Du kan hjælpe med at beskytte miljøet! Respektér venligst de lokale regler: Aflever det defekte elektriske udstyr på det lokale affalds-/genbrugscenter.  
You can help protect the environment! Please respect the local rules: Pass the faulty electrical equipment at the local waste recycling center.

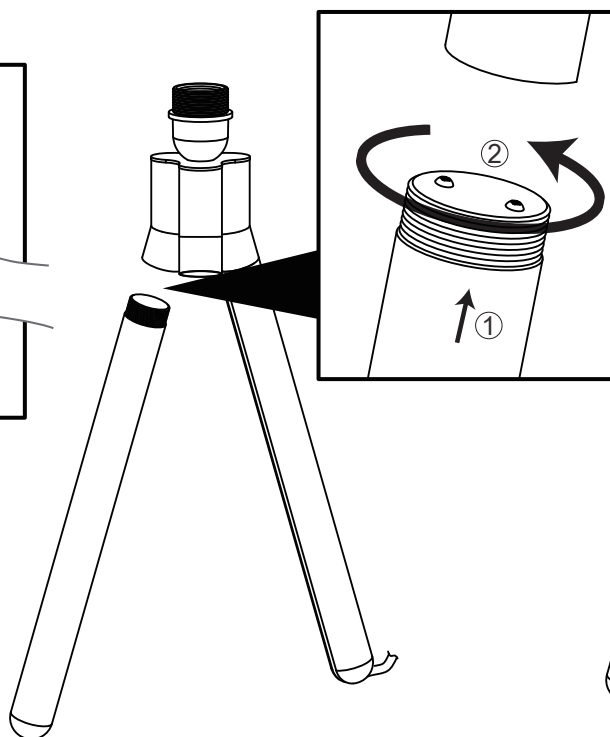
Design registration no. 002753806

© Copyright Darø a/s | www.daroe.dk

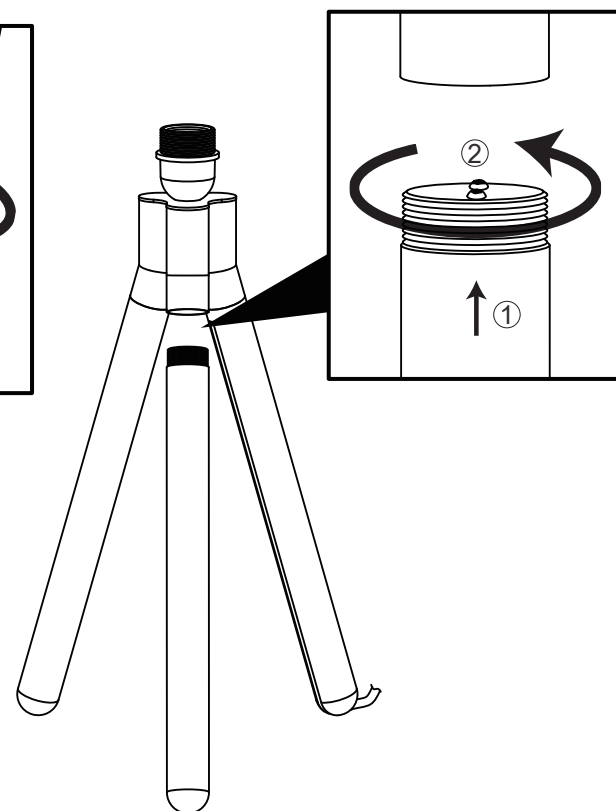
3



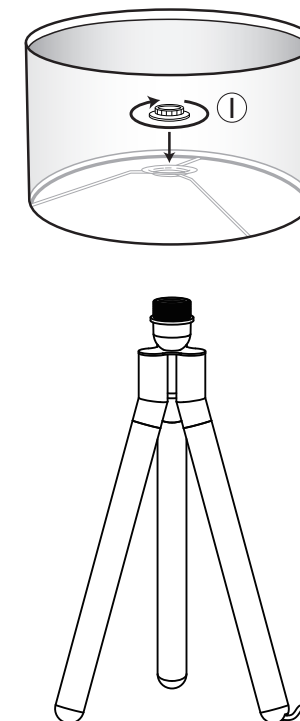
4



5



6



3 of 3

Beskyt miljøet / Protect the environment



Du kan hjælpe med at beskytte miljøet! Respektér venligst de lokale regler: Aflever det defekte elektriske udstyr på det lokale affalds-/genbrugscenter.  
You can help protect the environment! Please respect the local rules: Pass the faulty electrical equipment at the local waste recycling center.

Design registration no. 002753806

© Copyright Darø a/s | www.daroe.dk